

➤ Pneumatic Ball Valve

RBV

Unique design and high platform structure.
ISO5211 connection, easy to be installed.



Order Code

R	BV	□	□	□	-	□	-	□□	□
RFS product	Ball valve	Type P pneumatic L Lever	Connection 1 Female thread connection 2 Male thread connection 4 flanged connection 7 Wafer type	Structure 1 Straight bore 2.Y 3-way Y type 4.L 3-way L type 5.T 3-way T type	Tandem structure 1 1PCS type 2 2PCS type 3 3PCS type Blank Other	Nominal diameter 08 : 1/4" 10 : 3/8" 15 : 1/2" 20 : 2/4" 25 : 1" 32 : 1 1/4" 40 : 1 1/2" 50 : 2" 65 : 2 1/4" 80 : 3" 100 : 4" 125 : 5" 150 : 6"	Valve body material Z CI Q DI P Stainless steel 304 R Stainless steel 316 C Carbon steel		

Features

- Unique design and beautiful appearance.
- High platform structure and ISO5200 connection, makes the installation of electric or pneumatic actuator to be more professional.
- Valve body is overlaid with reinforced bar, which can be permanently used in corrosion medium, and keep away from the cracking and failure during the installation.
- Grinding process of the valve stem reduces the torque of electric or pneumatic valve during the installation.
- The valve body of carbon steel is phosphate coated, which won't be discolored and rusty. It is durable and beautiful.

Pneumatic Flange Type Ball Valve

Standard

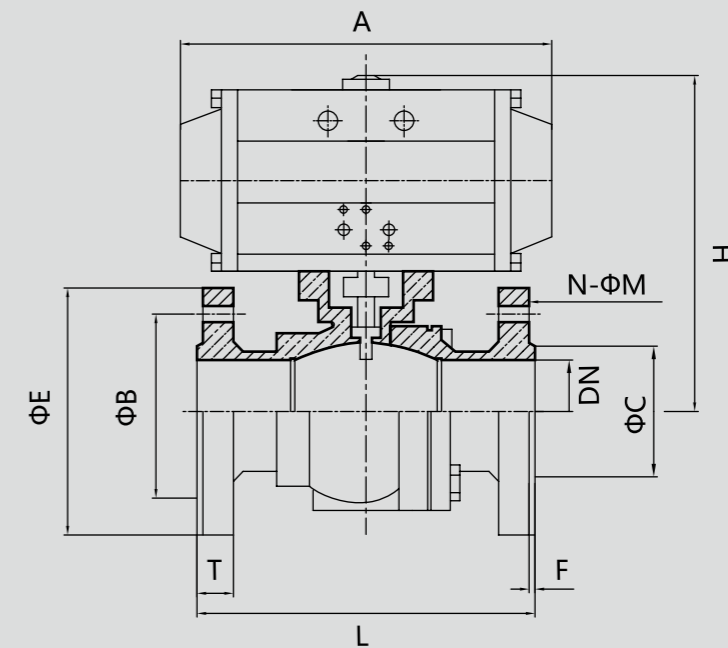
Design: BS5351
Structure length: ANSI B16.10/JISB2002/PN 16
Flange Dimension: ANSI B16.5/JISB2210/PN16
Testing: API598

Application

For general chemical and industrial services
Pressure and temperature range refer to the standard

Specification

Fire-safety design
Body material: CF8M, CF8, CF3M
Additive: PTFE (-20°C ~150°C)
PPL (-20°C ~280°C)
Flexible graphite (-20°C ~150°C)



Model	L	T	F	E	B	C	H	A	N-ΦM	Actuator
RBVP41-2-15	130	14	2	95	65	46	147	143	4-14	RAT052DA
RBVP41-2-20	130	16	2	105	75	56	152	143	4-14	RAT052DA
RBVP41-2-25	140	16	2	115	85	65	163	143	4-14	RAT063DA
RBVP41-2-32	165	18	2	140	100	76	184	173	4-18	RAT063DA
RBVP41-2-40	165	18	2	150	110	84	201	190	4-18	RAT075DA
RBVP41-2-50	203	20	2	265	125	99	219	196.5	4-18	RAT083DA
RBVP41-2-65	222	20	2	185	145	118	249	241	4-18	RAT092DA
RBVP41-2-80	241	20	2	200	160	132	272	263.5	4-18	RAT105DA
RBVP41-2-100	305	22	2	220	180	156	321	319	8-18	RAT125DA
RBVP41-2-125	356	22	2	250	210	184	381	390	8-18	RAT140DA
RBVP41-2-150	394	24	2	285	240	211	458	515	8-22	RAT190DA
RBVP41-2-200	457	24	2	340	295	266	534	560	12-22	RAT210DA

Pneumatic Inner Thread 2-pcs Ball Valve

Standard

Design: ANSI B16.34

Testing: API1598

Application: for general chemical and industrial services

Steam working pressure: 150PSI WSP

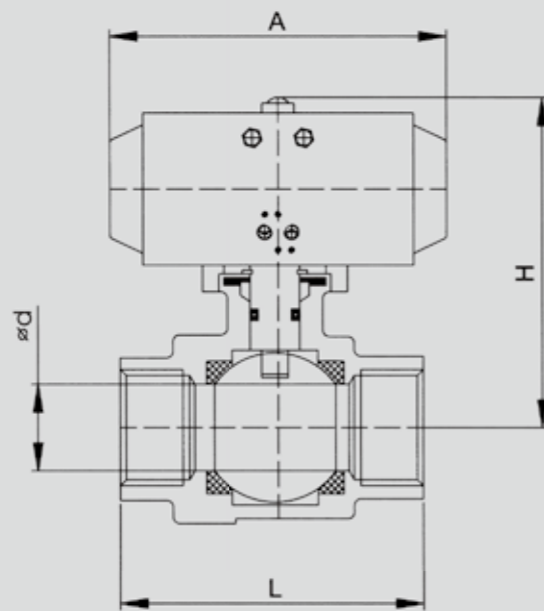
Working temperature: -20°C ~150°C

Specification

Body material: stainless steel

End type: threaded NPT or BSP

Butt weld, Socket weld



Model	Ød	L	A	H	Actuator
RBVP21-2-08	11.2	75	110	107.5	RAT032DA
RBVP21-2-10	12.7	75	110	110.5	RAT032DA
RBVP21-2-15	16	75	143	135.5	RAT052DA
RBVP21-2-20	20	80	143	138.5	RAT052DA
RBVP21-2-25	25	90	143	146.5	RAT052DA
RBVP21-2-32	32	110	173	166	RAT063DA
RBVP21-2-40	38.1	120	190	186.5	RAT075DA
RBVP21-2-50	50.8	140	190.5	204.5	RAT083DA
RBVP21-2-65	63.5	173	241	241	RAT092DA
RBVP21-2-80	76.2	186	268	264	RAT105DA

Pneumatic inner thread 3-pcs ball valve

Standard

Design: ANSI B16.34

Testing: API1598

Application: For general chemical and industrial services

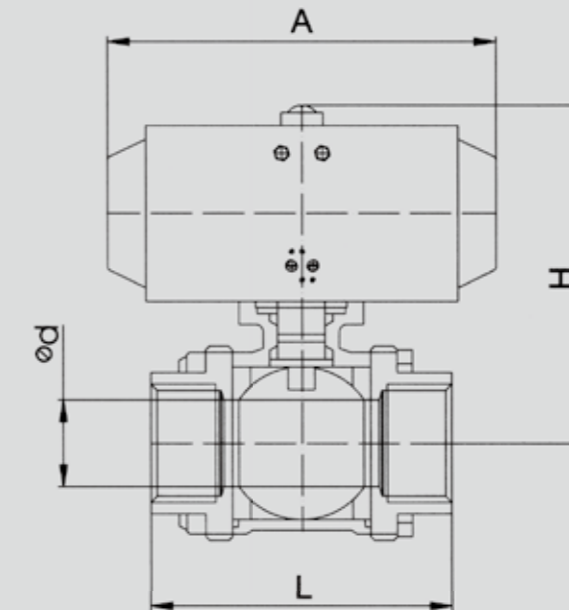
Steam working pressure: 150 PSI WSP

Temp. range: -20°C ~150°C

Specification

Body material: all kinds of stainless steel

Connection type: thread, NPT or BSP



Model	Ød	L	A	H	Actuator
RBVP21-3-08	11.2	75	110	107.5	RAT032DA
RBVP21-3-10	12.7	75	110	110.5	RAT032DA
RBVP21-3-15	16	75	143	135.5	RAT052DA
RBVP21-3-20	20	80	143	138.5	RAT052DA
RBVP21-3-25	25	90	143	146.5	RAT052DA
RBVP21-3-32	32	110	173	166	RAT063DA
RBVP21-3-40	38.1	120	190	186.5	RAT075DA
RBVP21-3-50	50.8	140	190.5	204.5	RAT083DA
RBVP21-3-65	63.5	173	241	241	RAT092DA
RBVP21-3-80	76.2	186	268	264	RAT105DA
RBVP21-3-100	100	225	319	315	RAT125DA

➤ Pneumatic plastic ball valve, butterfly valve

VP

Plastic ball valve and butterfly valve adopt special auxiliary formula material, ensure its acid resistance and alkali resistance for having higher machinery Strength. Applying many scopes water pipe line system widely.



Ordering Code

VP

Pneumatic plastic valve

□□

Valve type
64 ball valve
83 butterfly valve

□

Material
0 PVC
1 CPVC
3 PVDF
4 PP
5 ABS

□□

Orifice

Pneumatic plastic ball valve

Features

- Working pressure : 150 psi
- Easy to disassemble by handle for cushion elasticity
- Can be assemble quickly without any special tool
- Actuator can be installed with inserted nut



Model	Size	Standard	Material	Seat	Seat	Port
VP-640	1/2"~4"	ANSI,JIS,DIN,BS	PVC	PTFE	EPDM,FPM	Socket,Threaded,Flanged
VP-641	1/2"~4"	ANSI,JIS,DIN,BS	CPVC	PTFE	EPDM,FPM	Socket,Threaded,Flanged
VP-643	1/2"~4"	ANSI,JIS,DIN,BS	PVDF	PTFE	EPDM,FPM	Socket,Threaded,Flanged
VP-644	1/2"~4"	ANSI,JIS,DIN,BS	PP	PTFE	EPDM,FPM	Socket,Threaded,Flanged
VP-645	1/2"~4"	ANSI,JIS,DIN,BS	ABS	PTFE	EPDM,FPM	Socket,Threaded,Flanged

